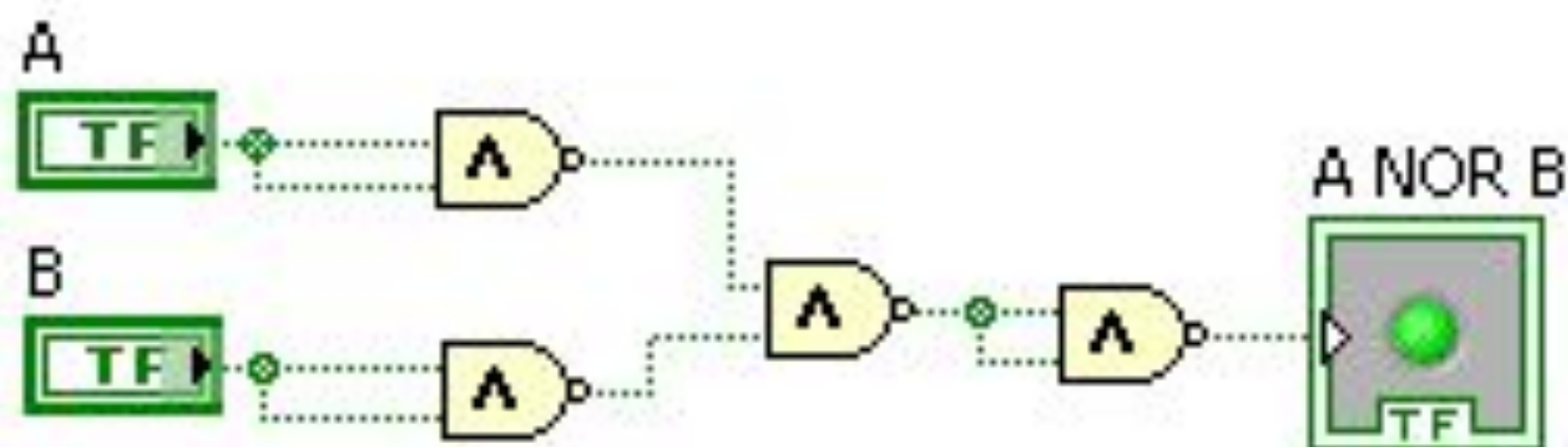


Flash memory

- Non volatile memory, NAND and NOR, in everyday use in business, domestic, and entertainment kit.
- What is it, where is it used, what is useful to know about it for everyday use?
- Highly reliable, tolerant of rough handling, survives immersion, operates over -25-+85C, and quality models good for >100,000 cycles.

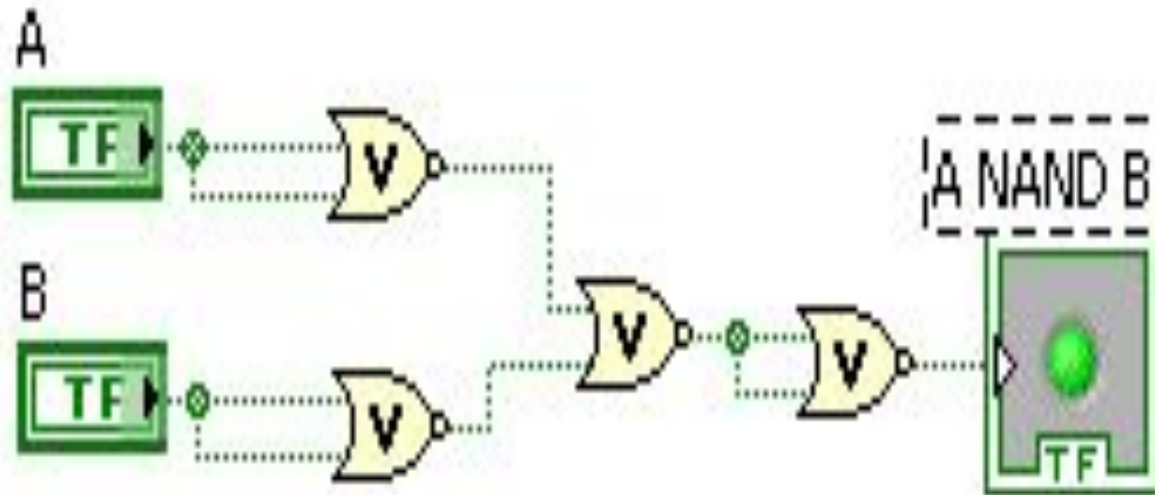




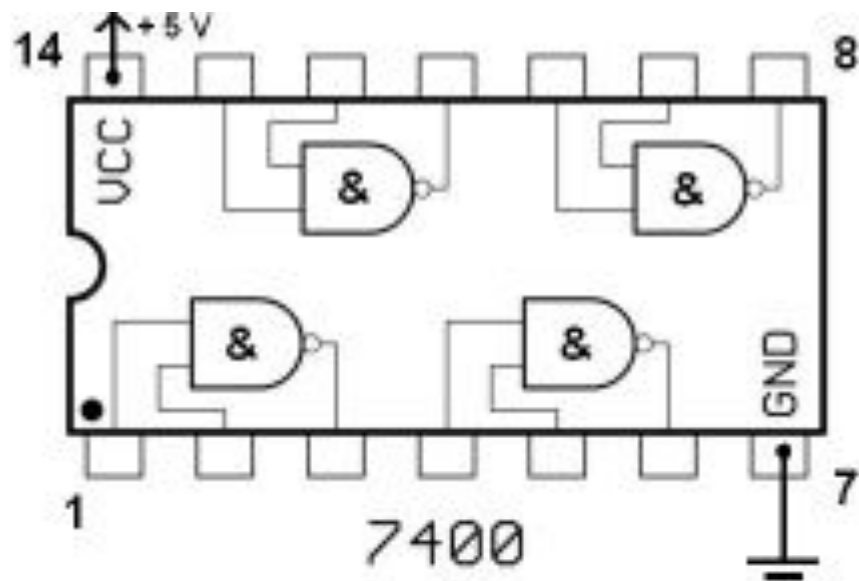


A NOR gate can be constructed from this combination of 4 NAND gates

Home work for Christmas?



A NAND gate can be constructed from this combination of 4 NOR gates



CMOS FIELD EFFECT TRANSISTORS

